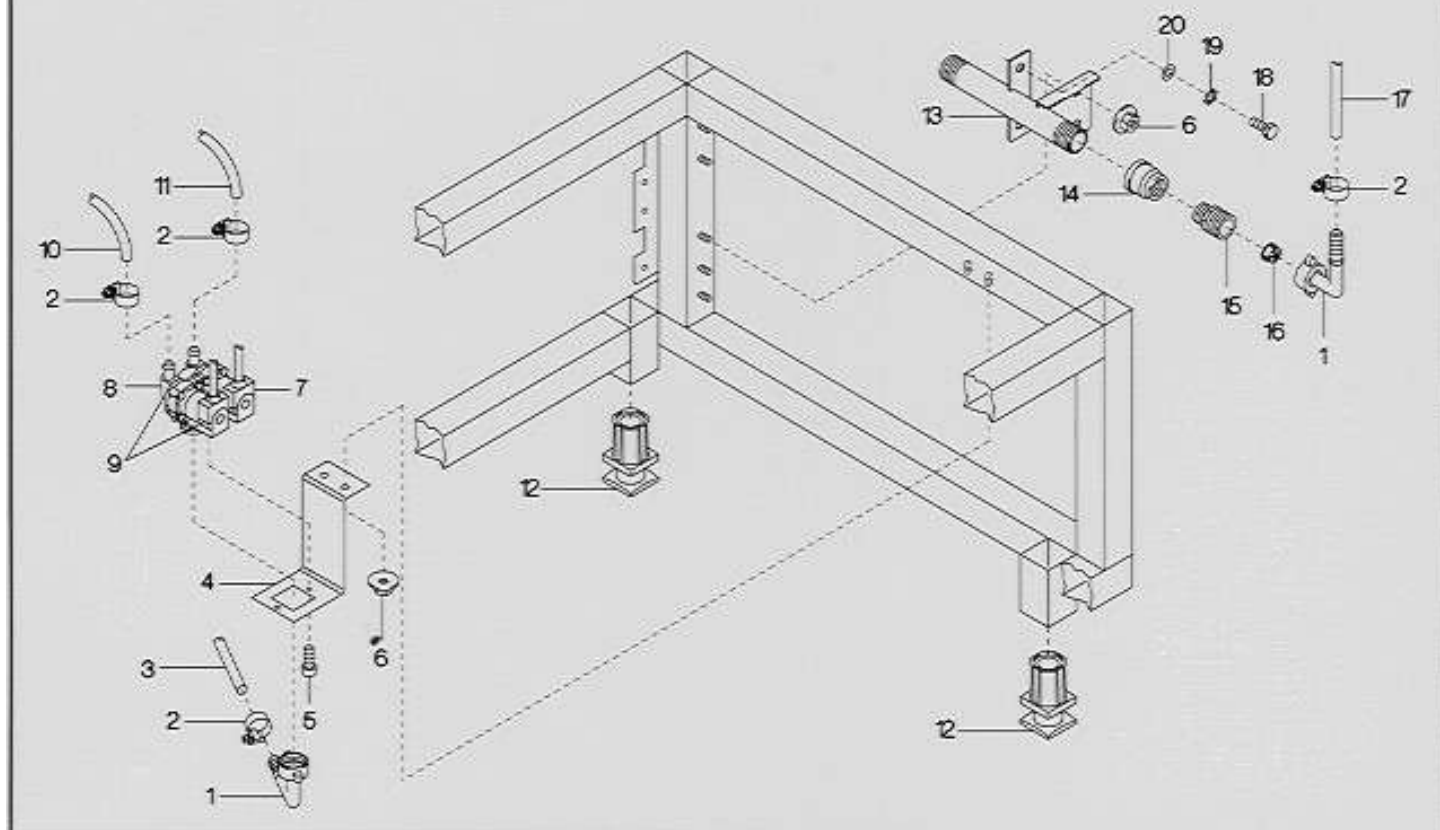


## Bottom

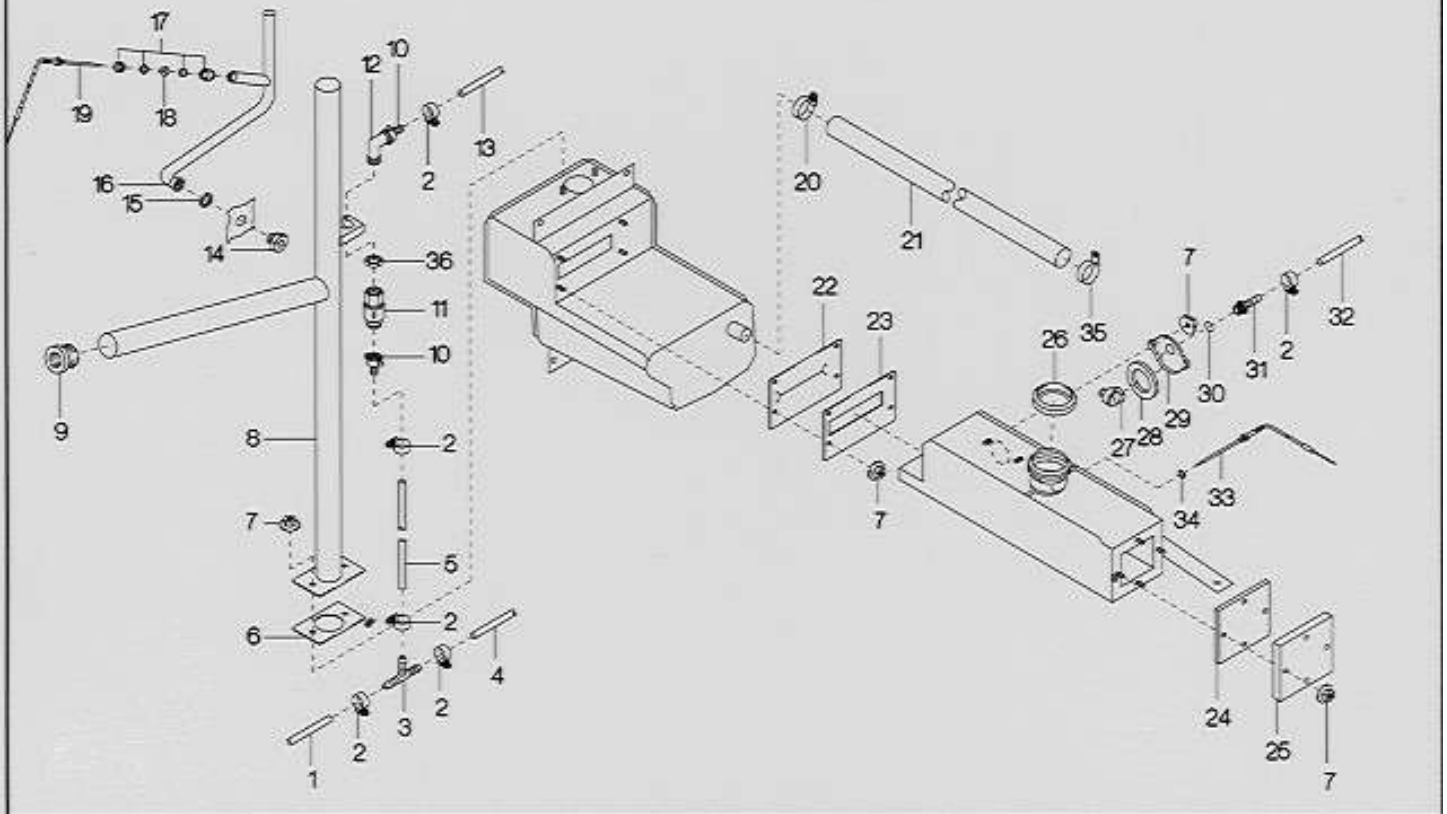
Voltage	Group	Page	Edition	Application from Serial. No.
1 N 230V 50Hz	9	9.2	9.2.1	14G91042001



Pos.	Pcs.	Sp.	Part No.	Description	Sign.
1	2		2062.0203	threaded pipe angle G3/4"	
2	4		2066.0205	hose clamp 12-18mm	
3	1		2067.0126	pressure hose 100mm long	
4	1		2525.291780	holding bracket	
5	2		1004.0060	slotted pan head screw M4x10	
6	5		1106.0801	hex-combi-nut M6	
7	2		3002.0324	coil	
8	1		3002.0314	body for double solenoid valve	
9	-		3002.0304	double solenoid valve cpl.	
10	1		2067.0167	pressure hose 450mm long	
11	1		2067.0168	pressure hose 2500 mm long	
12	4		2039.0111	foot adjustable	
13	1		8000.0403	water connection pipe	
14	1		1500.1599	reducing coupling 3/4" / 1/2"	
15	1		1500.1579	reducing nipple 1/2" / 3/4"	
16	1		1900.0200	strainer, water inlet	
17	1		2067.0153	pressure hose 950mm long	
18	2		1006.1960	hex screw M6x16	
19	2		1206.0120	toothed lock washer A6,4	
20	2		1306.0120	washer A6,4	

## Bottom

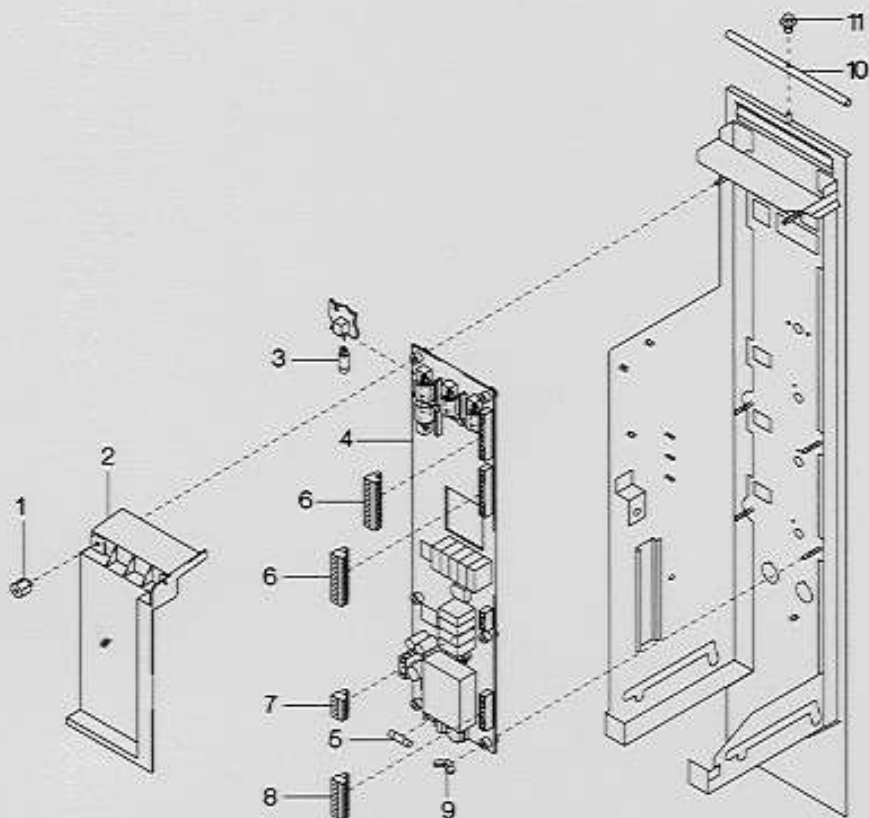
Voltage	Group	Page	Edition	Application from Serial. No.
<b>1 N 230V 50Hz</b>	<b>9</b>	<b>9.1</b>	<b>9.1.1</b>	<b>14G91042001</b>



Pos.	Pcs.	Sp.	Part No.	Description	Sign.	Pos.	Pcs.	Sp.	Part No.	Description	Sign.
-	1		8612.0112	quenching nozzle cpl.		30	1		5012.0532	O-ring	
-	1		8410.0122	collecting tank cpl.		31	1		2062.0102	hose fitting G3/8"	
-	1		8410.0120	quenching tank kpl.		32	1		2067.0167	pressure hose 450mm long	
1	1		2067.0155	pressure hose 230mm long		33	1		3014.0158	quenching sensor	E2
2	6		2066.0205	hose clamp 12-18mm		34	1		1315.0101	copper washer	
3	1		2036.0501	T-fitting		35	1		2066.0511	pipe clamp 32mm	
4	1		2067.0114	pressure hose 150mm long		36	1		2062.0310	hex nut G1/2"	
5	1		2067.0105	pressure hose 1000mm long							
6	1		5012.0549	gasket							
7	12		1106.0801	hex-combi-nut M6							
8	1		8300.0136	venting pipe, drain							
9	1		5012.0542	seal venting pipe/ drain tank							
10	2		2062.0311	screwed hose connection G1/2"							
11	1		2069.0101	non return valve G1/2"							
12	1		2062.0312	angle 90° G1/2"							
13	1		2067.0153	pressure hose 950mm long							
14	1		2016.0920	bypass nozzle							
15	1		1315.0104	copper washer							
16	1		2017.0103	bypass pipe							
17	1		4007.0600	cable connection PG9							
18	1		2022.0100	gasket							
19	1		3014.0158	bypass sensor	E3						
20	1		2066.0506	hose clamp 20-32mm							
21	1		2067.1612	silicone hose 365mm long							
22	1		5012.0548	seal drain tank / quenching tank							
23	1		2577.811701	end plate for quenching tank							
24	1		5012.0543	end plate gasket							
25	1		2577.431583	quenching tank cover plate							
26	1		2070.0013	Loro- gasket DN50							
27	1		2016.0900	quenching gasket							
28	1		5110.1005	gasket							
29	1		2070.0021	cover							

## Control Panel

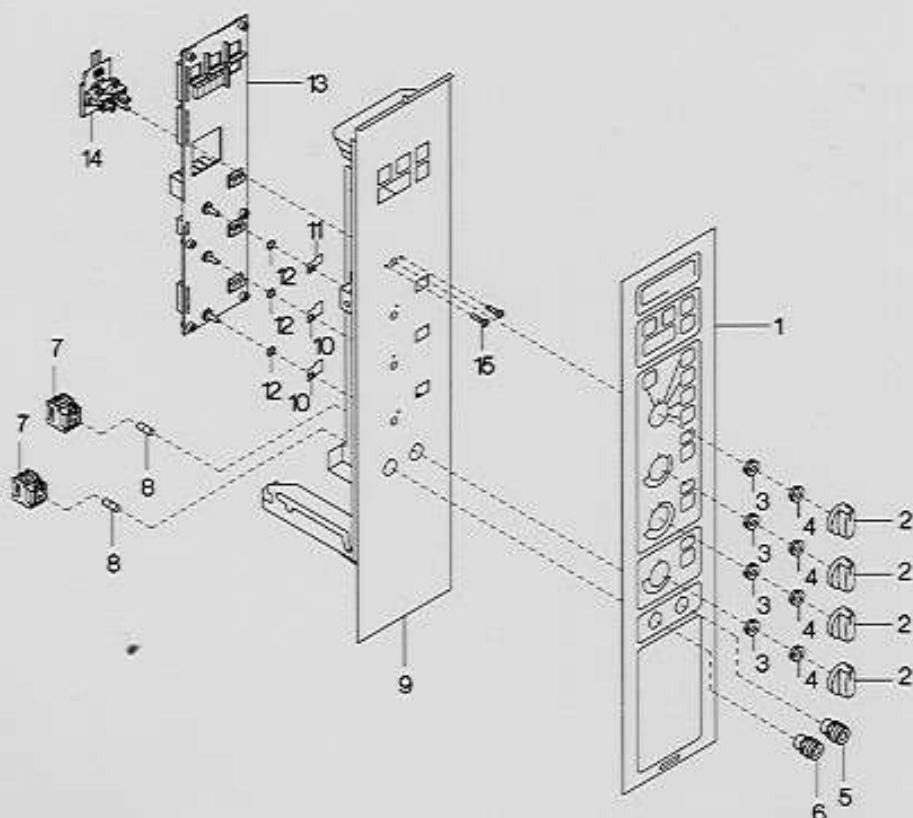
Voltage	Group	Page	Edition	Application from Serial. No.
1 N 230V 50Hz	1	1.2	1.2.1	14G91042001



Pos.	Pcs.	Sp.	Part No.	Description	Sign.
1	1		1116.0101	sleeve nut M4	
2	1		2039.0317	cover for pcb	
3	4		3024.0210	bulb	
4	1		3040.0121	pcb complete	A1
5	1		3019.0116	fuse 0,125A	F6
6	2		3040.0199	multipoint connector BL12	
7	1		3040.0195	multipoint connector BL5	
8	1		3040.0179	multipoint connector BL9	
9	6		1104.0500	wing-nut M4	
10	1		5012.0556	front panel gasket	
11	1		1005.2000	safety screw M5x8	

## Control Panel

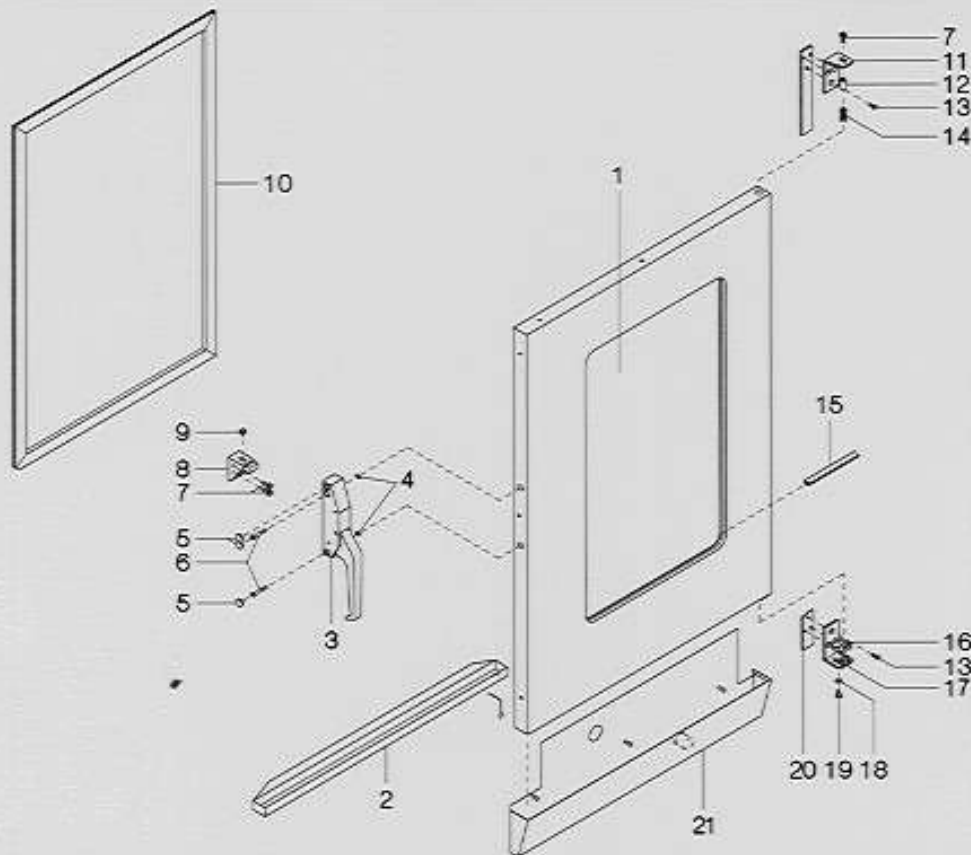
Voltage	Group	Page	Edition	Application from Serial. No.
1 N 230V 50Hz	1	1.1	1.1.1	14G91042001



Pos.	Pcs.	Sp. Part No.	Description	Sign.
1	1	2049.0850	control panel	
2	4	3013.0330	dial	
3	4	5012.0554	silicon dial gasket	
4	4	2022.0104	grommet	
5	1	3016.1353	hot air reset push button	S4
6	1	3016.1354	steam reset push button	S5
7	2	3016.1350	luminous key insert	S4,S5
8	2	3024.0301	glow lamp	
9	1	8600.0128	front panel	
10	2	2510.520731	stop for poti core temp./ timer	
11	1	2510.530746	stop for poti hot air	
12	4	1315.0101	copper washer	
13	1	3040.0121	pcb complete	A1
14	1	3016.1631	mode switch block	S1
15	2	1004.0061	slotted pan head screw M4x8	

## Door

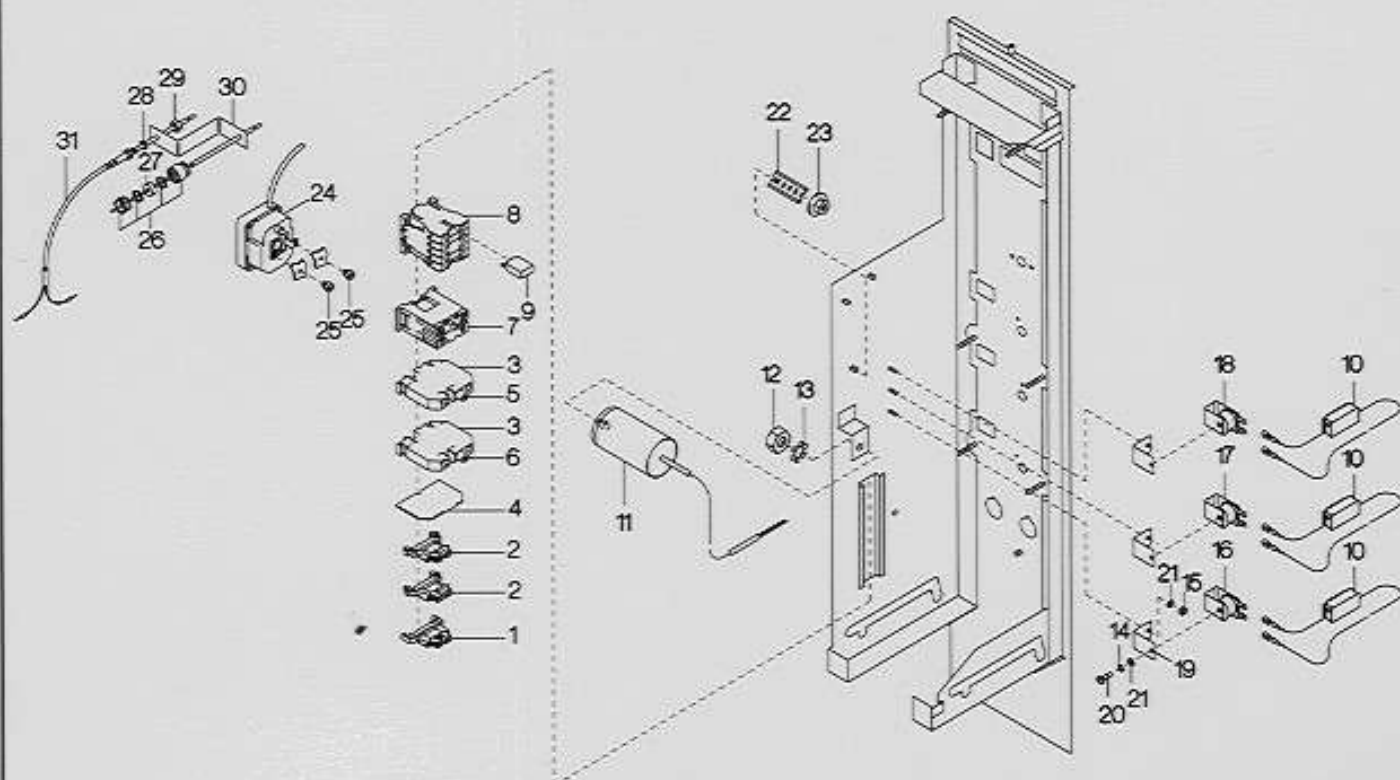
Voltage	Group	Page	Edition	Application from Serial. No.
1 N 230V 50Hz	8	8.1	8.1.1	14G91042001



Pos.	Pcs.	Sp. Part No.	Description	Sign.
-	1	8202.2103	door cpl.	
1	1	5015.0900	door window	
2	1	2530.031166	door drip collector	
3	1	2016.1100	door lock	
4	2	1305.0260	washer A5,3	
5	3	2016.01102	end cap door lock	
6	2	1005.1964	hex screw M5x25	
7	2	1005.2100	safety screw M5x16	
8	1	2016.0610	door catch	
9	1	1005.2000	safety screw M5x8	
10	1	5012.0704	door gasket	
11	1	8440.1000	door holder on top	
12	1	2016.0801	door bolt	
13	6	1005.1960	hex screw M5x16	
14	1	2001.0107	compression spring	
15	1	5012.0202	set door gasket	
16	1	2016.0884	door locking plate	
17	1	2630.210311	door holder down	
18	1	1205.0362	spring washer A5,3	
19	1	1008.0752	hex screw M5x10	
20	1	2630.200254	door holding bracket top	
21	1	8100.2002	drip collector	

## Electrical Installation

Voltage	Group	Page	Edition	Application from Serial. No.
1 N 230V 50Hz	2	2.1	2.1.1	14G91042001

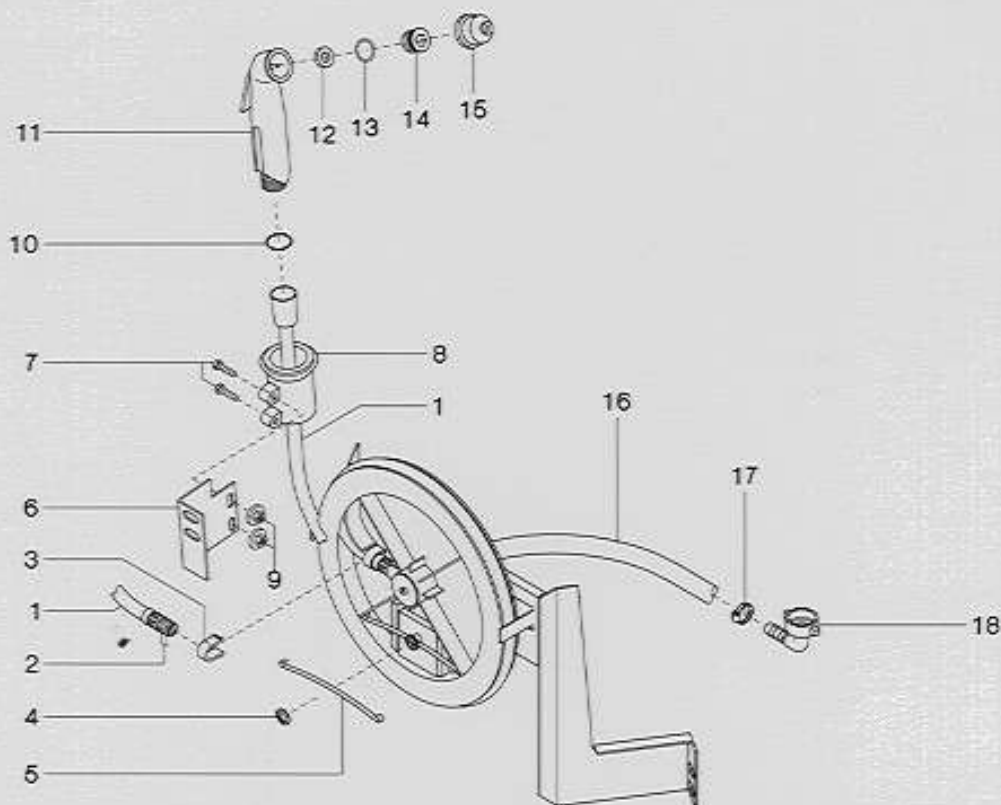


Pos.	Pcs.	Sp. Part No.	Description	Sign.
1	1	4001.1222	terminal block 4mm <sup>2</sup> yellow-green	
2	2	4001.1216	terminal block 4mm <sup>2</sup>	
3	2	4001.1228	fuse holder	F1,F2
4	1	4001.1227	cover for fuse holder	
5	1	3019.0112	fuse 4A	F1
6	1	3019.0400	fuse 0,5A	F2
7	1	3028.0111	contactor interior lamp	K1
8	1	3028.0501	motor contactor	K2
9	1	3035.0517	RC-link	C2
10	3	3035.0508	RC-link	C3-C5
11	1	3035.0518	motor capacitor	C1
12	1	1108.0260	hex nut M8	
13	1	1208.0160	toothed lock washer A8,4	
14	6	1203.0120	toothed lock washer A3,2	
15	3	1103.0120	hex nut M3	
16	1	3006.0101	alarm buzzer timer	T1
17	1	3006.0101	alarm buzzer hot air	T2
18	1	3006.0101	alarm buzzer steam	T3
19	3	2520.111086	holder for alarm buzzer	
20	3	1003.0120	hex screw M3x10	
21	3	1304.0150	toothed lock washer A3,2	
22	1	2022.0400	cable holder	
23	1	1005.0122	hex-combi-nut M5	
24	1	3014.0310	bi-limit safety thermostat	F4
25	2	1004.0060	slotted pan head screw M4x4	
26	1	4007.0600	cable connection PG9	
27	1	2022.0100	gasket	
28	1	1315.0101	copper washer	
29	1	1106.0160	hex nut M6	
30	1	2520.400212	thermostat holder	
31	1	3014.0151	sensor for interior cabinet	E4



## Hand Shower

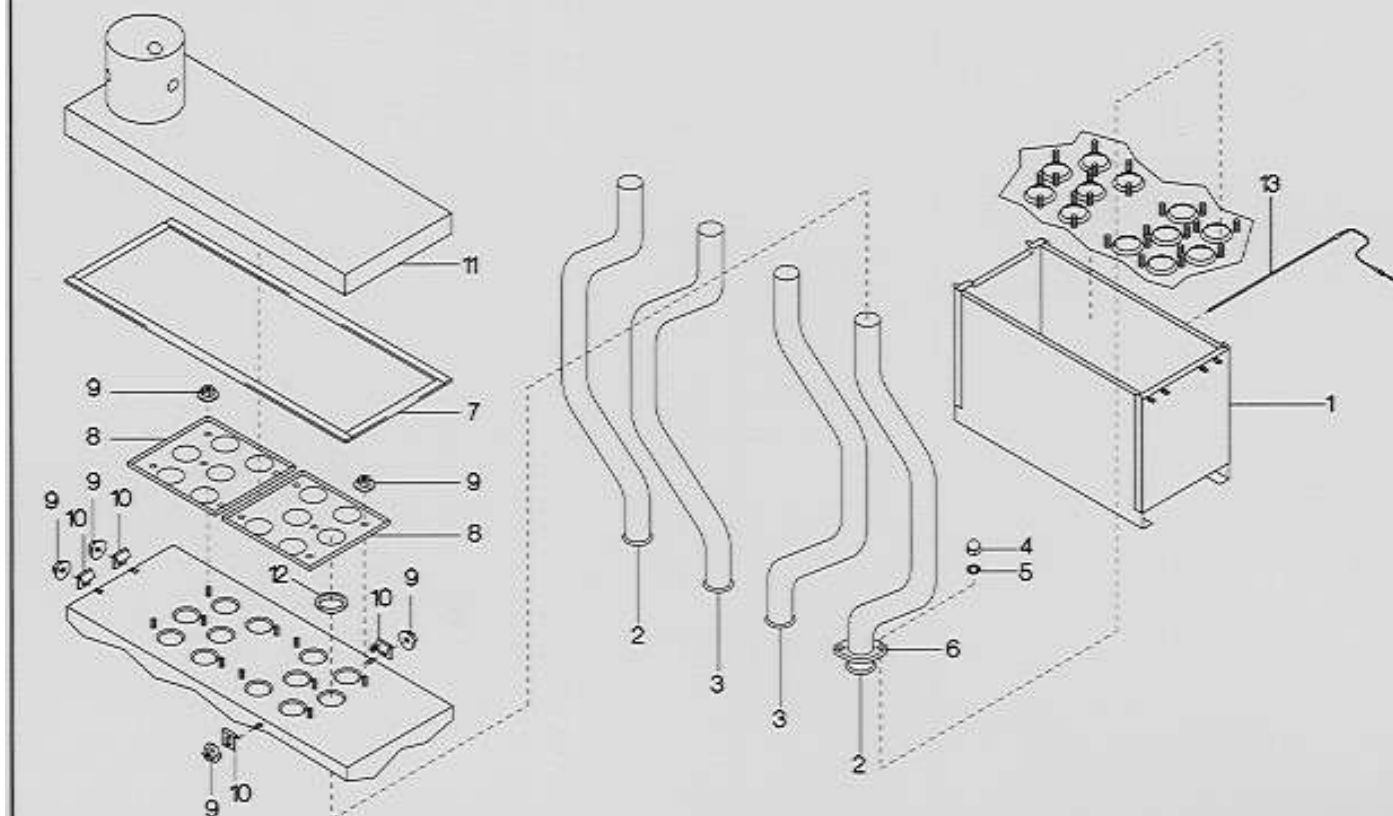
Voltage	Group	Page	Edition	Application from Serial. No.
1 N 230V 50Hz	10	10.1	10.1.1	14G91042001



Pos.	Pcs.	Sp. Part No.	Description	Sign.
-	1	8410.1017	hand shower roll guide cpl.	
1	1	2067.0605	shower hose	
2	2	2060.0228	gasket for hand shower	
3	1	2060.0152	climp for shower hose	
4	1	2001.0203	lock washer	
5	1	2001.0202	fastening spring	
6	1	2525.361650	holding bracket	
7	2	1008.0751	hex screw M5x25	
8	1	2060.0121	tulip	
9	2	1105.0122	hex-combi-nut M5	
10	1	5012.0536	gasket	
11	1	2060.0100	hand shower cpl. (incl.pos. 11,12,13,14)	
12	1	20600218	gasket	
13	1	2060.0217	O-ring	
14	1	2060.0216	head screw	
15	1	2060.0215	mouthpiece	
16	1	2067.0114	pressure hose 150mm long	
17	1	2066.0205	hose clamp 12-18mm	
18	1	2062.0203	threaded pipe angle G3/4"	

## Hot Air Heat Exchanger

Voltage	Group	Page	Edition	Application from Serial. No.
1 N 230V 50Hz	5	5.1	5.1.1	14G91042001

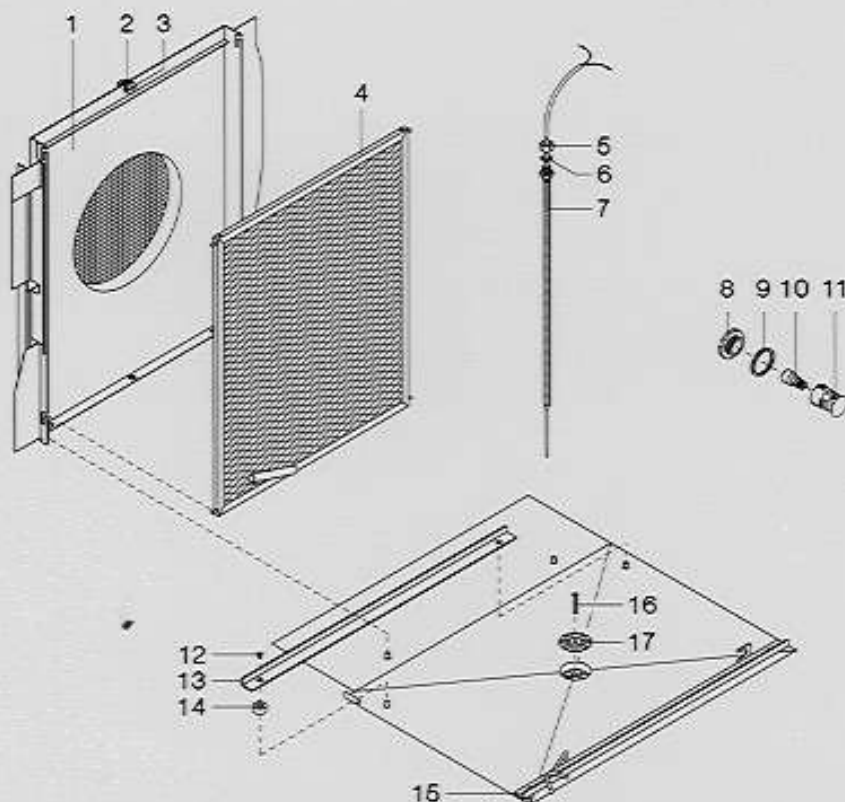


Pos.	Pcs.	Sp. Part No.	Description	Sign.
1	1	8806.0501	flame funnel cpl.	
2	6	2550.010382	outer hot air heat exchanger pipes	
3	6	2550.020383	inner hot air heat exchanger pipes	
4	24	1108.0320	hex cap nut M8	
5	24	1208.0260	spring washer d8	
6	12	2550.031595	holding flange	
7	1,7	5006.0104	rope gasket 1,7m	
8	2	2520.111454	cover plate	
9	14	1106.0801	hex-combi-nut M6	
10	4	2520.291609	holding clamp for cover plate	
11	1	8000.0402	exhaust gas collecting chamber	
12	12	5001.0212	graphite packing	
13	1	3014.0157	thermocouple hot air exchange	B2



## Interior Cabinet

Voltage	Group	Page	Edition	Application from Serial. No.
1 N 230V 50Hz	7	7.1	7.1.1	14G91042001



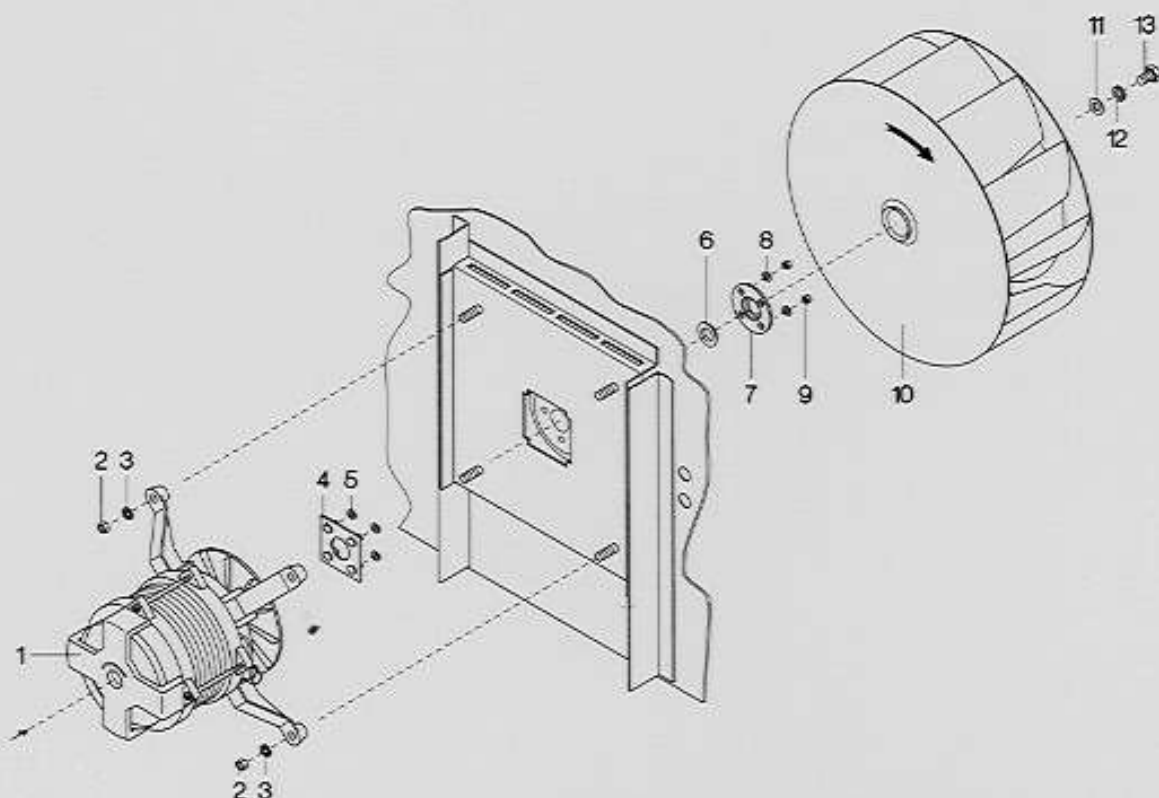
Pos.	Pcs.	Sp.	Part No.	Description	Sign.
-	2		3023.0501	interior lamp cpl.	
1	1		8011.1114	air baffle	
2	1		2043.0203	holder plate for quick acting closure	
3	1		2043.0201	locking pin	
4	1		2010.0907	fat filter	
5	1		1112.0160	hex screw M12	
6	1		3035.0606	copper washer	
7	1		3035.0607	sensor core temperature	E1
8	2		3025.0002	lamp lens	
9	2		5012.0535	gasket	
10	2		3024.0200	bulb, heat resistant	
11	2		3023.0506	socket for interior lamp	H1,H2
12	4		1005.0467	countersunk screw with slot M5x8	
13	1		8400.0160	rail left	
14	4		2031.1000	spacer	
15	1		8400.0162	rail right	
16	1		1005.2301	pan head screw M5x35	
17	1		2520.480890	discharge screen	

**Miscellaneous**

Pos.	Spare Part .No.	Description
1	2005.0403	castor without brace for transport trolley
2	3033.0222	castor with brace for transport trolley
3	3040.0205	connector 5-pin male
4	3040.0206	connector 5-pin female
5	3040.0207	connector 15-pin male
6	3040.0208	connector 15-pin female
7	3040.0209	insert for connector male
8	3040.0210	insert for connector female
9	3040.0211	connector 3-pin male
10	3040.0212	connector 2-pin male
11	3040.0213	connector 3-pin female
12	3040.0214	connector 2-pin female
13	5006.0200	silicone (tube)
14	5012.0524	teflon- tape 12mm broad
15	8801.1067	power connection cable 3x1,5mm <sup>2</sup>
16	8400.3002	handle for transport trolley
17	8405.0101	draft diverter
18	9003.0100	leak detektor spray
19	9006.0850	stainless steel cleaner paste

## Motor and Fan Wheel

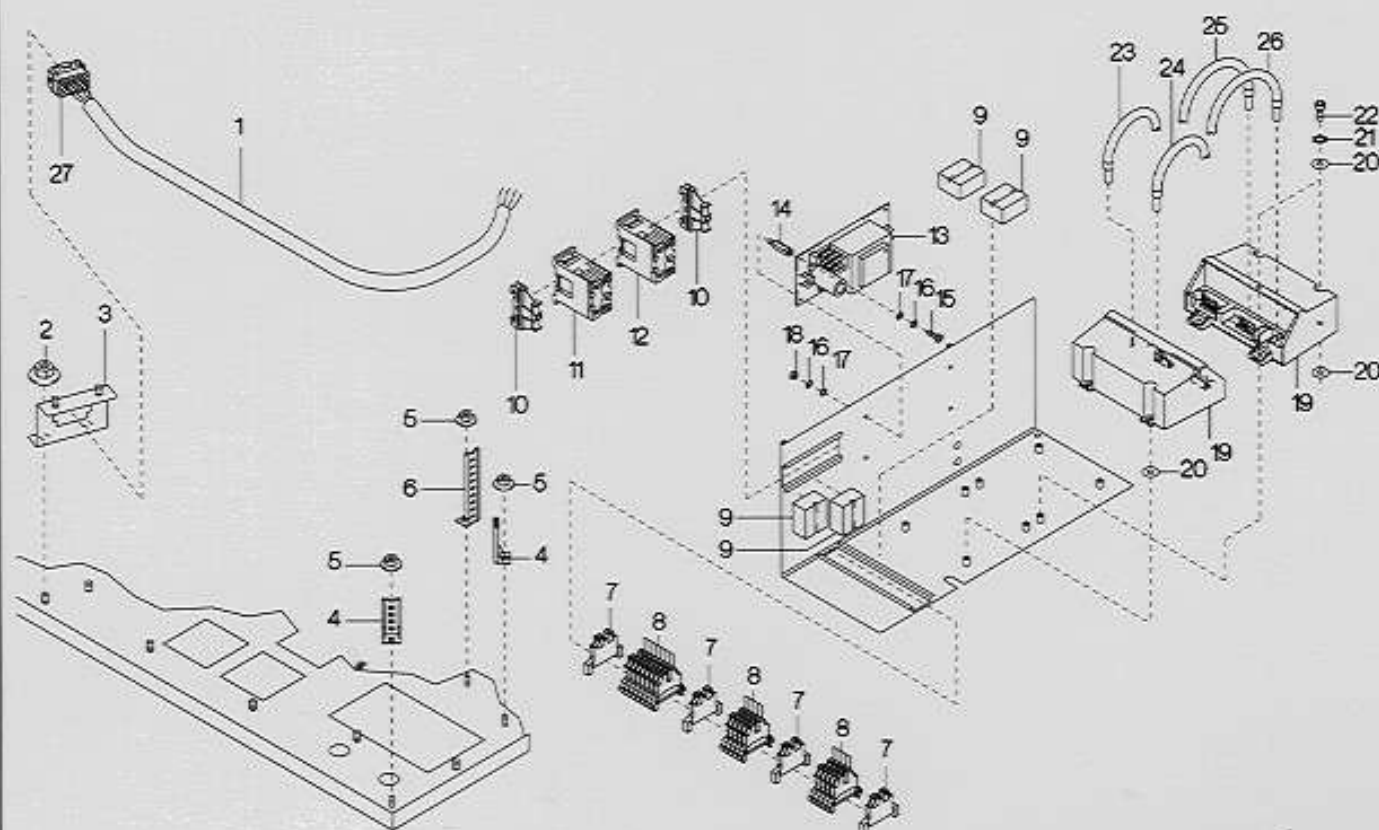
Voltage	Group	Page	Edition	Application from Serial. No.
1 N 230V 50Hz	6	6.1	6.1.1	14G91042001



Pos.	Pcs.	Sp. Part No.	Description	Sign.
1	1	3001.0441	motor	M1
2	4	1108.0260	hex nut M8	
3	4	1208.0160	toothed lock washer A8,4	
4	1	8506.0104	holder plate	
5	4	1315.0101	copper washer	
6	1	5001.0207	motor gasket	
7	1	2016.0876	gasket flange	
8	4	1306.0120	washer A6,4	
9	4	1106.0220	hex nut M6 flat	
10	1	2012.0500	fan wheel	
11	1	1310.0160	washer A10,5	
12	1	1210.0160	toothed lock washer A10,5	
13	1	1010.0760	hex screw M10x16	

## Service Modul (Electrical components)

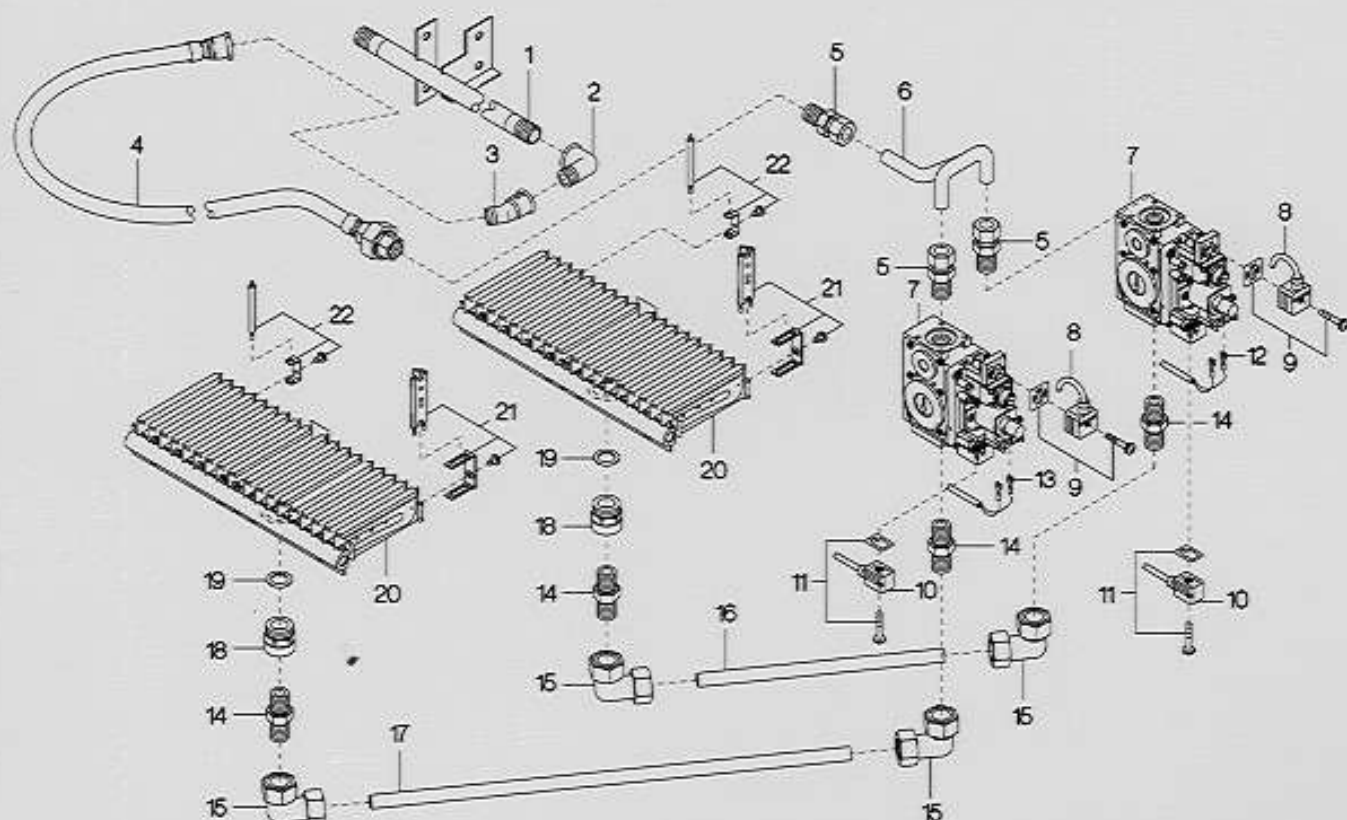
Voltage	Group	Page	Edition	Application from Serial. No.
1 N 230V 50Hz	3	3.1	3.1.1	14G91042001



Pos.	Pcs.	Sp.	Part No.	Description	Sign.
1	1		8801.1054	control cabel 13-pin	
2	2		1106.0801	hex-combi-nut M6	
3	1		8610.0032	connector fixing bracket	
4	2		2020.0400	cable assy holder short	
5	3		1105.0122	hex-combi-nut M5	
6	1		2020.0401	cable assy holder long	
7	4		4001.1222	terminal block 4mm <sup>2</sup> yellow-green	
8	18		4001.1216	terminal block 4mm <sup>2</sup>	
9	4		3035.0509	RC-link	C6-C9
10	2		4001.1203	end plate	
11	1		3028.0111	contactor steam	K3
12	1		3028.0111	contactor hot air	K4
13	1		3037.0218	power pack gas valve 230V	A2
14	4		1403.0165	distance bolt M3x15	
15	4		1003.0020	pan head screw M3x10	
16	8		1203.0120	toothed lock washer A3,2	
17	8		1304.0150	washer A3,2	
18	4		1103.0120	hex nut M3	
19	2		3039.0103	automatic gas igniter	F7,F8
20	16		1306.0218	washer A4,3	
21	8		1204.0120	toothed lock washer A4,3	
22	8		1004.0664	slotted pan head screw M4x16	
23	1		8801.1063	hot air ignition cable	
24	1		8801.1061	connecting cable monitoring hot air	
25	1		8801.1062	staem ignition cable	
26	1		8801.1059	connecting cable monitoring steam	
27	1		3040.0207	connector 15-pin male	

## Service Modul (Gas components)

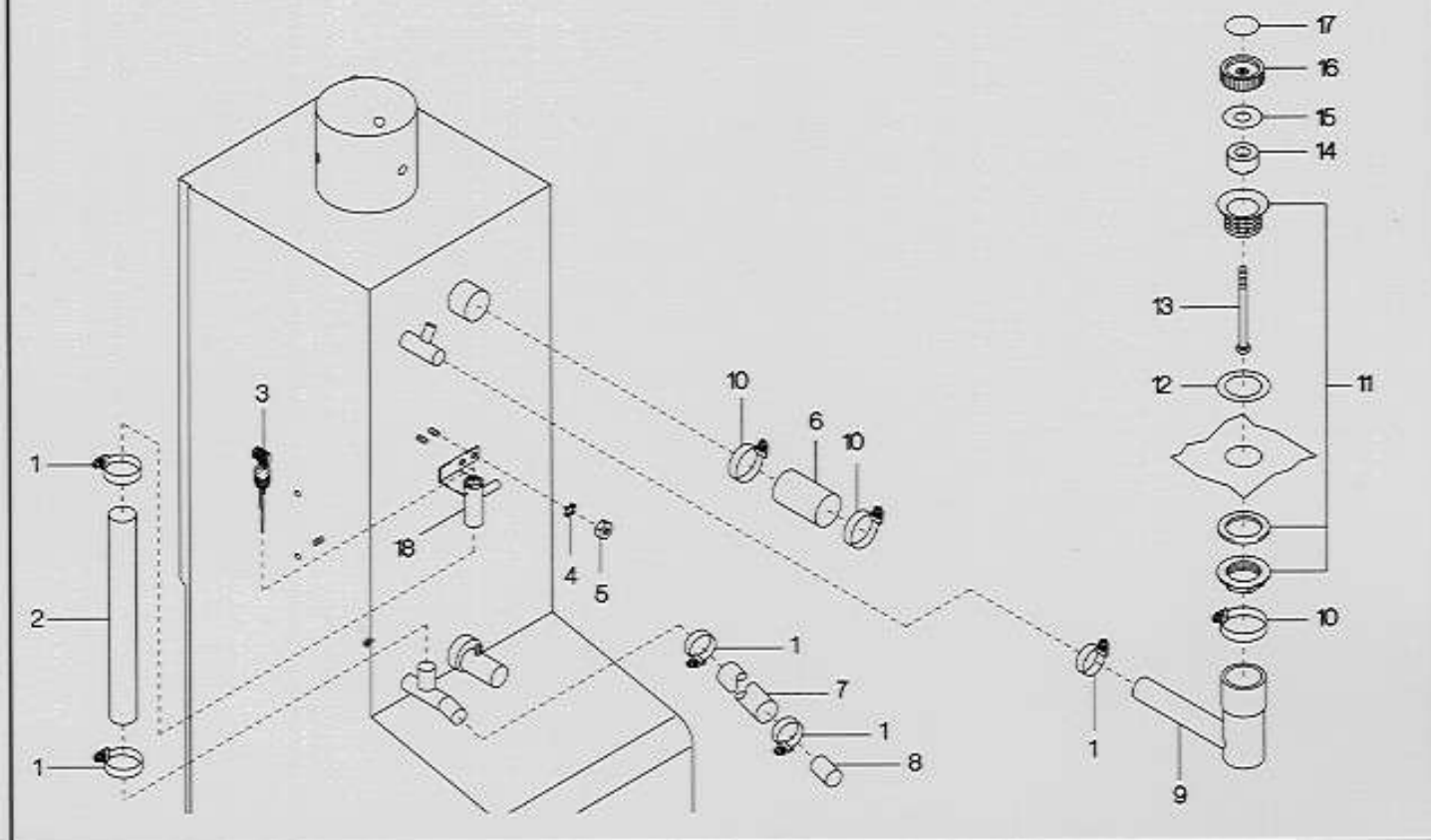
Voltage	Group	Page	Edition	Application from Serial. No.
1 N 230V 50Hz	3	3.2	3.2.1	14G91042001



Pos.	Pcs.	Sp. Part No.	Description	Sign.
-	1	8602.0166	natural gas service module cpl.	
-	1	8602.0167	lpg gas service modul cpl.	
1	1	8000.0404	connecting pipe 1/2"	
2	1	1500.1595	bend G1/2" 90°	
3	1	1500.1598	bend G1/2" 30°	
4	1	2036.0610	gas tube DN12 800mm long	
5	3	2036.0604	straight threaded joint	
6	1	8300.0135	valve connecting pipe	
7	2	3039.0204	gas valve	Y3-Y8
8	2	3039.0207	gas valve input connecting cable	
9	2	3039.0208	seal and screw	
10	2	3039.0205	gas valve output connecting cable	
11	2	3039.0206	seal and screw	
12	1	8801.1064	gas valve hot air full-load connecting cable	
13	1	8801.1066	gas valve steam full-load connecting cable	
14	4	2036.0604	straight threaded joint	
15	4	2036.0601	ermeto-angle 90°	
16	1	2635.180394	connecting pipe 274mm long	
17	1	2635.170393	connecting pipe 534mm long	
18	2	3039.0210	screw socket for burner	
19	2	5012.0534	gasket, fitting mainburner	
20	2	2068.0215	burner natural gas	
-	2	2068.0216	burner lpg gas	
21	2	2068.0153	ignition and earth electrode	F9,F11
22	2	2068.0152	flame monitoring electrode	F10,F12

## Steam Generator

Voltage	Group	Page	Edition	Application from Serial. No.
1 N 230V 50Hz	4	4.2	4.2.1	14G91042001

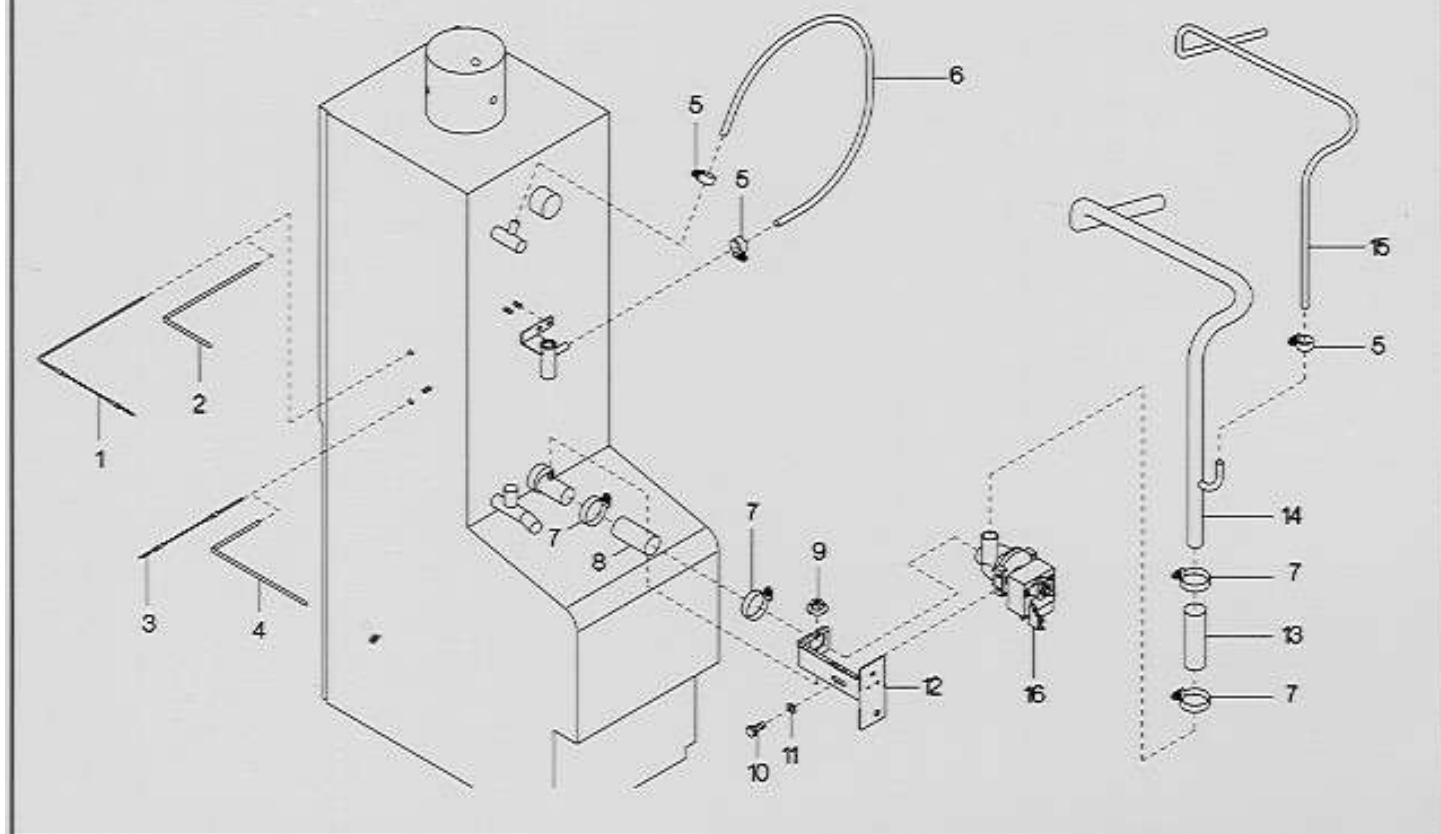


Pos.	Pcs.	Sp. Part No.	Description	Sign.
-	1	8440.4000	safety valve cpl.	
1	5	2066.0506	hose clamp 20-32mm	
2	1	2067.1618	silicone hose 290mm long	
3	1	3002.0404	filling electrode	S3
4	2	1206.0120	toothed lock washer A6,4	
5	2	1106.0160	hex nut M6	
6	1	2067.0204	steam hose 70mm long	
7	1	2067.1619	silikone hose 70mm long	
8	1	8300.0016	stopper for emergency outlet	
9	1	2022.0203	grommet for safety valve	
10	3	2066.0503	hose clamp 25-40mm	
11	1	2064.0100	valve body	
12	1	5012.0527	gasket	
13	1	1008.0764	hex screw M8x110	
14	1	2026.0201	cone	
15	1	5012.0526	gasket	
16	1	2020.0301	plastic handle	
17	1	2049.0800	cover plate	
18	1	8300.2300	mounting for filling	



**Steam Generator**

Voltage	Group	Page	Edition	Application from Serial. No.
<b>1 N 230V 50Hz</b>	<b>4</b>	<b>4.1</b>	<b>4.1.1</b>	<b>14G91042001</b>



Pos.	Pcs.	Sp. Part No.	Description	Sign.
-	1	8300.0131	steam generator cpl.	
-	1	8300.2100	flame funnel cpl.	
1	1	3014.0157	thermocouple	B1
2	1	2577.381578	clamping plate for thermocouple	
3	1	3014.0320	dry-up protector 173°C	F5
4	1	2577.371577	clamping plate for dry-up protector	
5	3	2066.0205	hose clamp 12-18mm	
6	1	2067.0167	pressure hose 450mm long	
7	3	2066.0506	hose clamp 20-32mm	
8	1	2067.1631	silicone hose 100mm long	
9	1	1106.0801	hex-combi-nut M6	
10	1	1006.1960	hex screw M6x16	
11	1	1306.0120	washer A6.4	
12	1	2577.111541	holder for discharging pump	
13	1	2067.1632	silicone hose 100mm long	
14	1	8300.0137	connecting pipe drain / discharging pump	
15	1	2067.0168	pressure hose 2500mm long	
16	1	3002.1000	discharging pump	M2